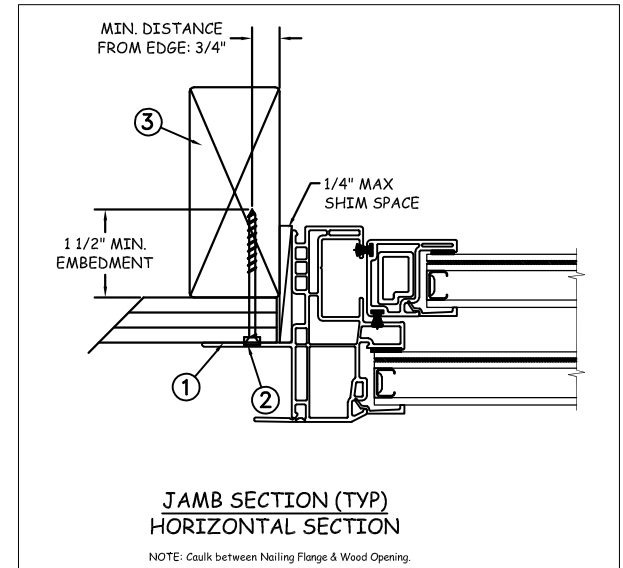
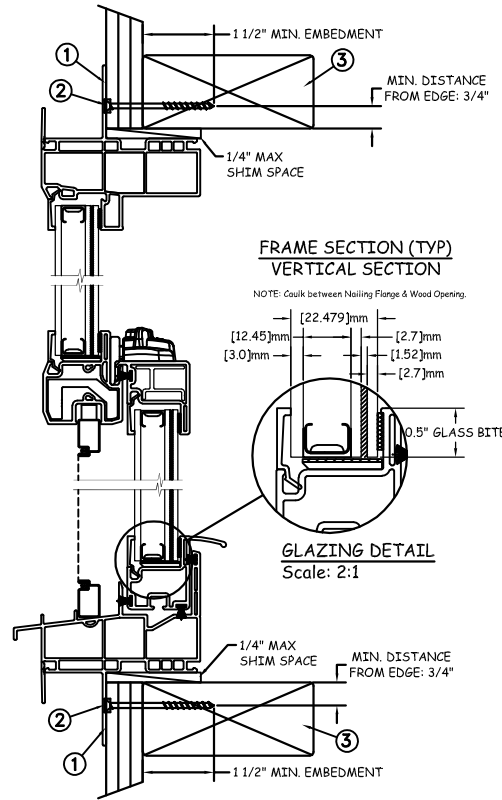
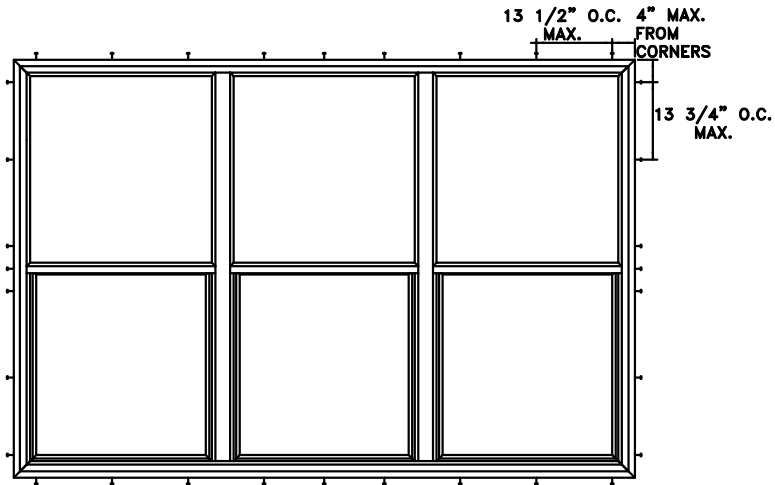


**NAIL FIN INSTALLATION**



Max Frame	DP RATING	IMPACT
108 x 72	+50/-55	YES

**WINDZONE 2**

**Installation Notes:**

1. Seal flange/frame to substrate. Sill shall be set on a continuous serpentine bead of structural grade silicone caulk when no fastener is used to anchor the sill (typical).
2. Use #8 PH or greater fastener through the nail fin with sufficient length to penetrate a minimum of 1 1/2" into the wood framing. For two (2X) wood frame substrate (min. S.G. = 0.42).
3. Host structure (wood buck, masonry, steel) to be designed and anchored to properly transfer all loads to the structure. The host structure is the responsibility of the architect or engineer of record for the project of installation.

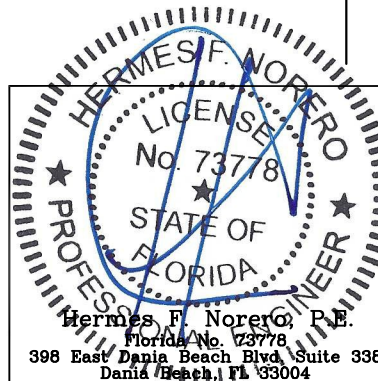
**General Notes:**

1. The product shown herein is designed, tested and manufactured to comply with the wind load criteria of the adopted International Building Code (IBC), the International Residential Code (IRC), the Florida Building Code (FBC) and the industry requirement for the stated conditions.
2. All glazing shall conform to ASTM E1300.
3. At minimum, glazing is 3.0mm annealed - 12.45mm airspace - 2.7mm annealed - 1.52mm PVB interlayer by Kuraray - 2.7mm annealed insulated glass.
4. Use structural or composite shims where required.

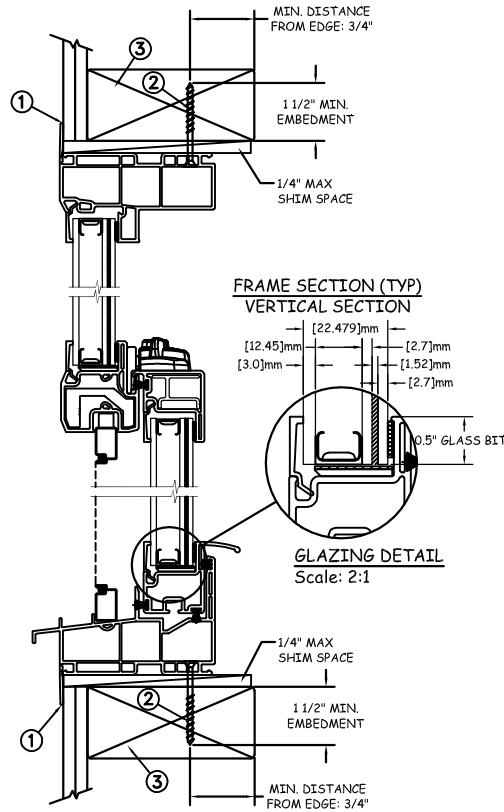
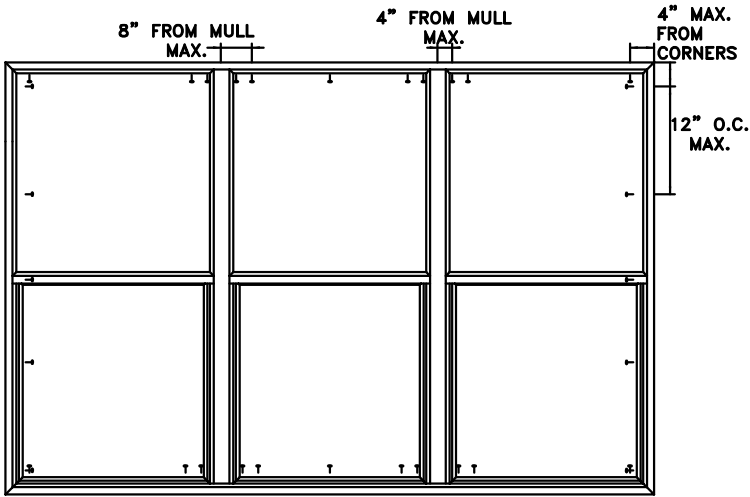
This schedule addresses only the fasteners required to anchor the window to achieve the rated design pressure up to the size limitations noted. It is not intended as a guide to the installation process and does not address the sealing consideration that may arise in different wall conditions. For the complete installation procedure, see the instructions packaged with the window or go to [www.jeld-wen.com](http://www.jeld-wen.com).

**DISCLAIMER:**

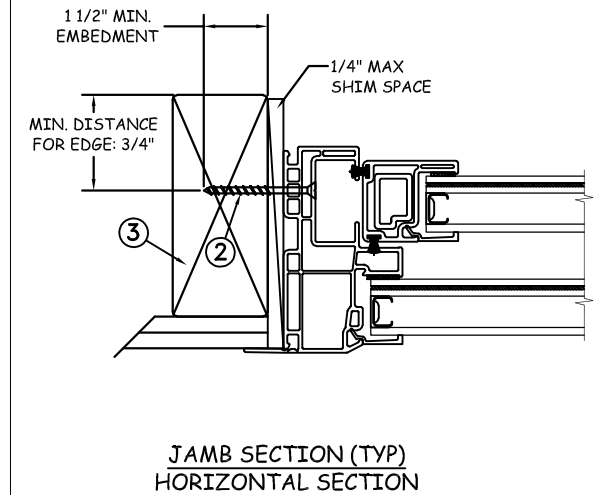
This drawing and its contents are confidential and are not to be reproduced or copied in whole or in part or used or disclosed to others except as authorized by JELD-WEN Inc.



PROJECT ENGINEER: ---	DATE: 08/07/18	<b>JELD-WEN</b> 3737 Lakeport Blvd Klamath Falls, OR. 97601 Phone: (800) 535-3936
DRAWN BY: A. MCMILLAN	SCALE: NTS	
CHECKED BY: J. GOOSSEN	TITLE: Premium Vinyl Tilt Single Hung XXX - WZ2	
APPROVED BY: J. GOOSSEN		
PART/PROJECT No.: D014836	PLANT NAME AND LOCATION:	CAD DWG. No.:
IDENTIFIER No. 110-16-154	REV: A	SHEET 1 OF 4



### THROUGH FRAME INSTALLATION



Max Frame	DP RATING	IMPACT
108 x 72	+50/-55	YES

### WINDZONE 2

#### Installation Notes:

1. Seal flange/frame to substrate. Sill shall be set on a continuous serpentine bead of structural grade silicone caulk when no fastener is used to anchor the sill (typical).
2. Use #8 PH or greater fastener through the frame with sufficient length to penetrate a minimum of 1 1/2" into the wood framing. For two (2X) wood frame substrate (min. S.G. = 0.42).
3. Host structure (wood buck, masonry, steel) to be designed and anchored to properly transfer all loads to the structure. The host structure is the responsibility of the architect or engineer of record for the project of installation.

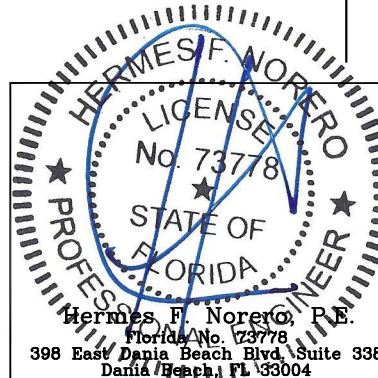
#### General Notes:

1. The product shown herein is designed, tested and manufactured to comply with the wind load criteria of the adopted International Building Code (IBC), the International Residential Code (IRC), the Florida Building Code (FBC) and the industry requirement for the stated conditions.
2. All glazing shall conform to ASTM E1300.
3. At minimum, glazing is 3.0mm annealed - 12.45mm airspace - 2.7mm annealed - 1.52mm PVB interlayer by Kuraray - 2.7mm annealed insulated glass.
4. Use structural or composite shims where required.

This schedule addresses only the fasteners required to anchor the window to achieve the rated design pressure up to the size limitations noted. It is not intended as a guide to the installation process and does not address the sealing consideration that may arise in different wall conditions. For the complete installation procedure, see the instructions packaged with the window or go to [www.jeld-wen.com](http://www.jeld-wen.com).

#### DISCLAIMER:

This drawing and its contents are confidential and are not to be reproduced or copied in whole or in part or used or disclosed to others except as authorized by JELD-WEN Inc.

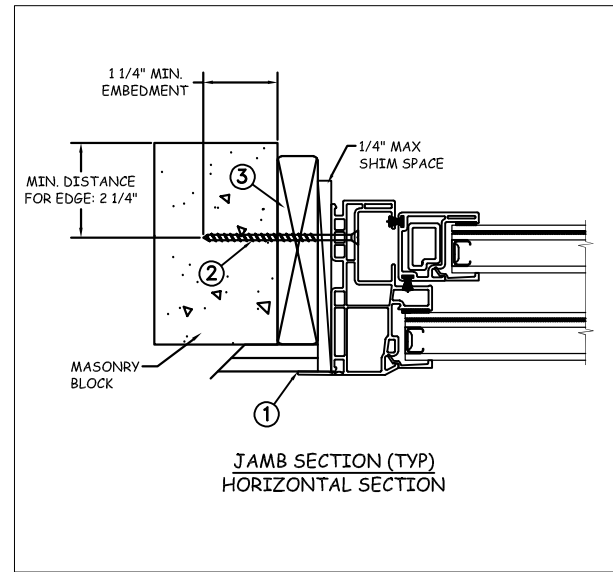
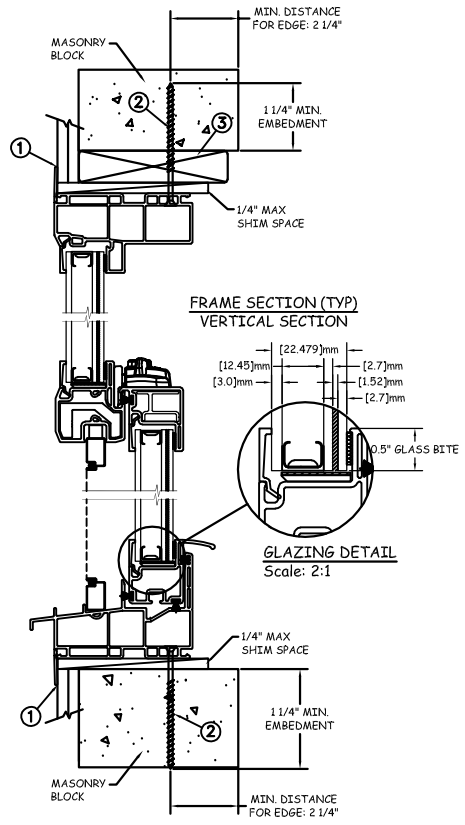
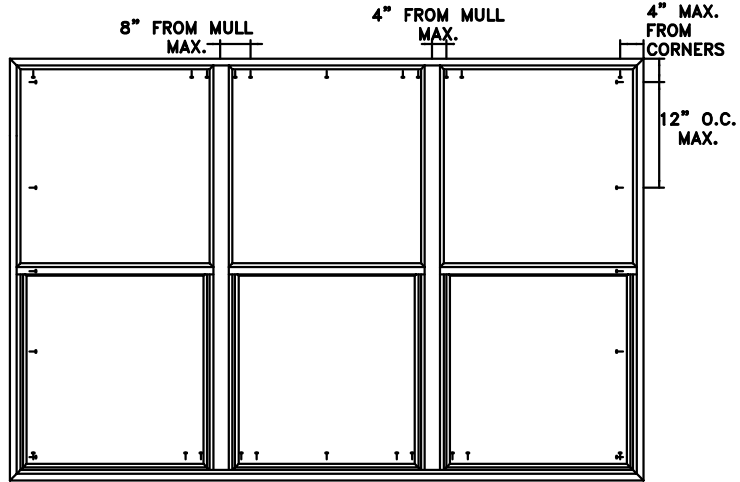


PROJECT ENGINEER: ---	DATE: 08/07/18
DRAWN BY: A. MCMILLAN	SCALE: NTS
CHECKED BY: J. GOOSSEN	TITLE: Premium Vinyl Tilt Single Hung XXX - WZ2
APPROVED BY: J. GOOSSEN	
PART/PROJECT No.: D014836	
IDENTIFIER No. 110-16-154	PLANT NAME AND LOCATION:

**JELD-WEN** 3737 Lakeport Blvd  
Klamath Falls, OR. 97601  
Phone: (800) 535-3936

CAD DWG. No.:	REV: A	SHEET 2 OF 4
---------------	-----------	-----------------

**MASONRY INSTALLATION**



Max Frame	DP RATING	IMPACT
108 x 72	+50/-55	YES

**WINDZONE 2**

**Installation Notes:**

1. Seal flange/frame to substrate. Sill shall be set on a continuous serpentine bead of structural grade silicone caulk when no fastener is used to anchor the sill (typical).
2. Use 3/16" Tapcon or equivalent fastener through frame with sufficient length to penetrate a minimum of 1 1/4" into concrete (min. f'c = 3000 psi) or masonry (min = 2000psi) (per ASTM = C-90).
3. Host structure (wood buck, masonry, steel) to be designed and anchored to properly transfer all loads to the structure. The host structure is the responsibility of the architect or engineer of record for the project of installation.

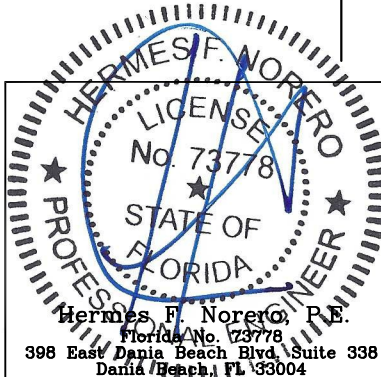
This schedule addresses only the fasteners required to anchor the window to achieve the rated design pressure up to the size limitations noted. It is not intended as a guide to the installation process and does not address the sealing consideration that may arise in different wall conditions. For the complete installation procedure, see the instructions packaged with the window or go to [www.jeld-wen.com](http://www.jeld-wen.com).

**DISCLAIMER:**

This drawing and its contents are confidential and are not to be reproduced or copied in whole or in part or used or disclosed to others except as authorized by JELD-WEN Inc.

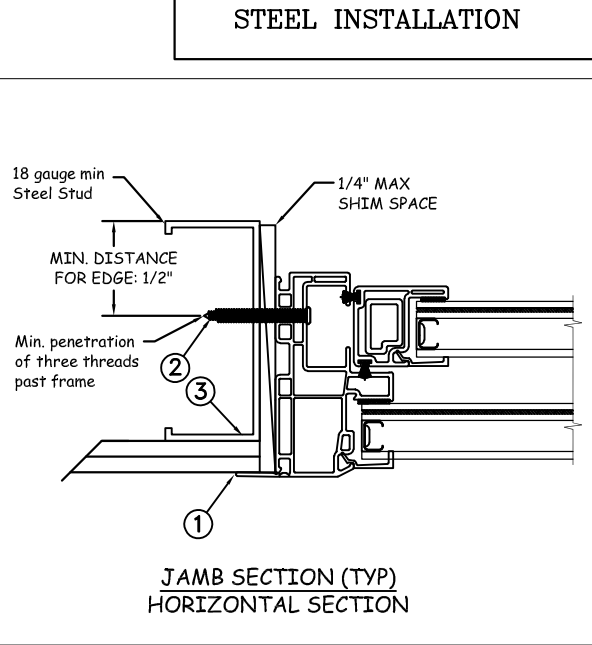
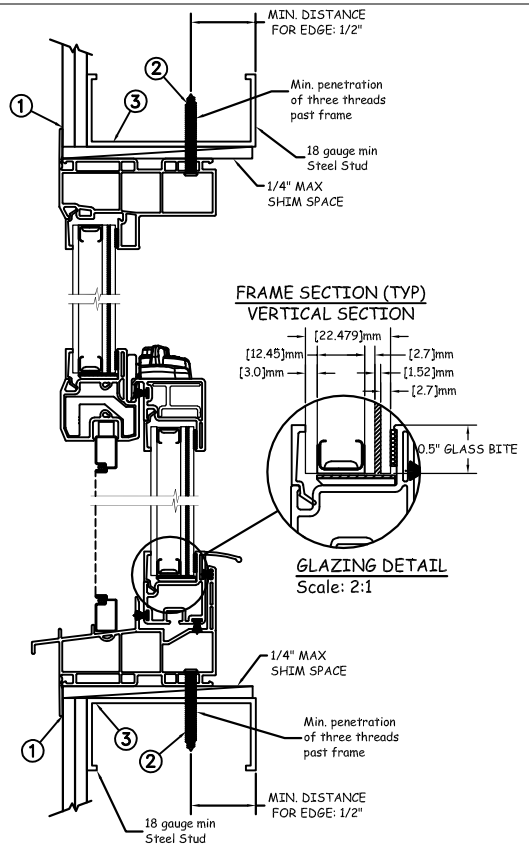
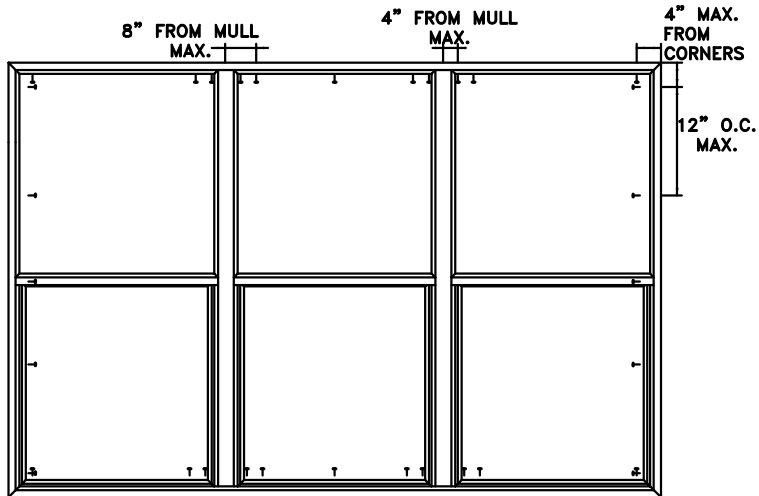
**General Notes:**

1. The product shown herein is designed, tested and manufactured to comply with the wind load criteria of the adopted International Building Code (IBC), the International Residential Code (IRC), the Florida Building Code (FBC) and the industry requirement for the stated conditions.
2. All glazing shall conform to ASTM E1300.
3. At minimum, glazing is 3.0mm annealed - 12.45mm airspace - 2.7mm annealed - 1.52mm PVB interlayer by Kuraray - 2.7mm annealed insulated glass.
4. Use structural or composite shims where required.



Hermes F. Norero, P.E.  
 Florida No. 73778  
 398 East Dania Beach Blvd, Suite 338  
 Dania Beach, FL 33004

PROJECT ENGINEER: ---	DATE: 08/07/18	<b>JELD-WEN</b>	3737 Lakeport Blvd Klamath Falls, OR. 97601 Phone: (800) 535-3936	
DRAWN BY: A. MCMILLAN	SCALE: NTS		Premium Vinyl Tilt Single Hung XXX - WZ2	
CHECKED BY: J. GOOSSEN	TITLE:			
APPROVED BY: J. GOOSSEN				
PART/PROJECT No.: <b>D014836</b>	PLANT NAME AND LOCATION:	CAD DWG. No.:	REV: A	SHEET 3 OF 4
IDENTIFIER No. 110-16-154				



Max Frame	DP RATING	IMPACT
108 x 72	+50/-55	YES

**WINDZONE 2**

**Installation Notes:**

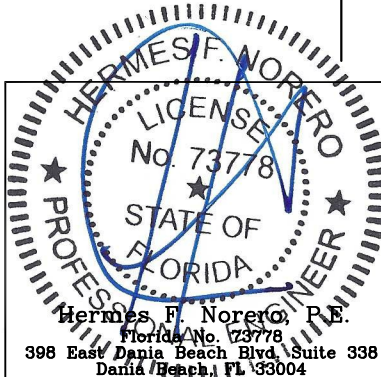
1. Seal flange/frame to substrate. Sill shall be set on a continuous serpentine bead of structural grade silicone caulk when no fastener is used to anchor the sill (typical).
2. For anchoring into metal framing, use #8 Grade 5 PH TEK Self Tapping screws with sufficient length to achieve a minimum penetration of three threads past the frame thickness. Locate anchors as shown in elevations and installation details. Steel studs to be minimum 18 gauge thickness (fy = 33 ksi).
3. Host structure (wood buck, masonry, steel) to be designed and anchored to properly transfer all loads to the structure. The host structure is the responsibility of the architect or engineer of record for the project of installation.

**General Notes:**

1. The product shown herein is designed, tested and manufactured to comply with the wind load criteria of the adopted International Building Code (IBC), the International Residential Code (IRC), the Florida Building Code (FBC) and the industry requirement for the stated conditions.
2. All glazing shall conform to ASTM E1300.
3. At minimum, glazing is 3.0mm annealed - 12.45mm airspace - 2.7mm annealed - 1.52mm PVB interlayer by Kuraray - 2.7mm annealed insulated glass.
4. Use structural or composite shims where required.

This schedule addresses only the fasteners required to anchor the window to achieve the rated design pressure up to the size limitations noted. It is not intended as a guide to the installation process and does not address the sealing consideration that may arise in different wall conditions. For the complete installation procedure, see the instructions packaged with the window or go to [www.jeld-wen.com](http://www.jeld-wen.com).

**DISCLAIMER:**  
This drawing and its contents are confidential and are not to be reproduced or copied in whole or in part or used or disclosed to others except as authorized by JELD-WEN Inc.



PROJECT ENGINEER: ---	DATE: 08/07/18
DRAWN BY: A. MCMILLAN	SCALE: NTS
CHECKED BY: J. GOOSSEN	TITLE: Premium Vinyl Tilt Single Hung XXX - WZ2
APPROVED BY: J. GOOSSEN	
PART/PROJECT No.: D014836	
IDENTIFIER No. 110-16-154	

**JELD-WEN** 3737 Lakeport Blvd  
Klamath Falls, OR. 97601  
Phone: (800) 535-3936

PLANT NAME AND LOCATION:	CAD DWG. No.:	REV: A	SHEET 4 OF 4
--------------------------	---------------	-----------	-----------------